

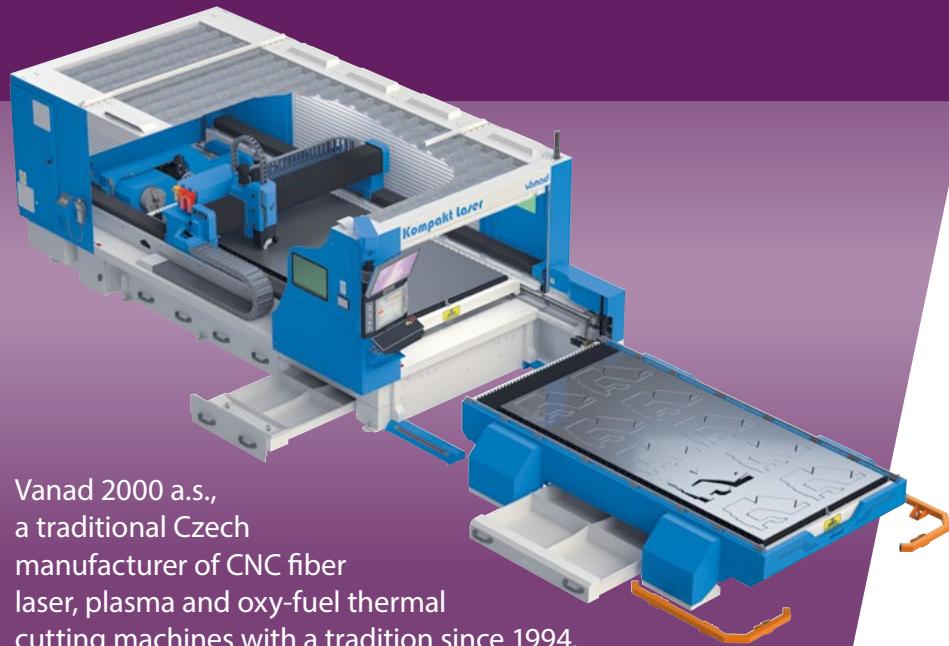
Vanad

CNC Thermal Cutting Machines



EURO
BLECH

Dear business partners,
We would like to invite you to visit
our exposition at the **EuroBLECH 2018**
in Hannover, Germany.



Vanad 2000 a.s.,
a traditional Czech
manufacturer of CNC fiber
laser, plasma and oxy-fuel thermal
cutting machines with a tradition since 1994.



EuroBLECH 2018 / HANNOVER

October 23–26, 2018

HALL **12** / STAND **B02**

We look forward to meeting you.

You can contact us for a free ticket at vanad@vanad.com.

Vanad 2000 a.s., Czech Republic, Phone: +420 569 400 411, www.vanad.com